

For pneumatic winch applications demanding lightweight construction, this range of explosion proof winches provides the solution. The use of vane type motors and inherently safe self braking worm gears ensures trouble free operation and low maintenance required. These winches find their use in general industry, oil and gas exploration, and in many places where compact, explosion proof hoisting gear is required.

The range includes two fast speed types, the LV 256 and LV 508 which also have optional carrying handles, and slower speed types up to 2000 kg. lifting capacity.

The self braking characteristics of the worm gear drive combined with closed ports is sufficient for almost all hoisting purposes. For accurate positioning of a load an extra brake may be necessary. Please consult our sales department in this case.

### Standard features:

- Self braking worm gear transmission
- Rotary vane motor
- Steel drum (not grooved) with cable fixing point at flange
- Two drum supports
- Single layer 1 component conservation, color BS 20 (Medium Blue)

- Drum guard
- Emergency cranking
- Marine / offshore coating systems

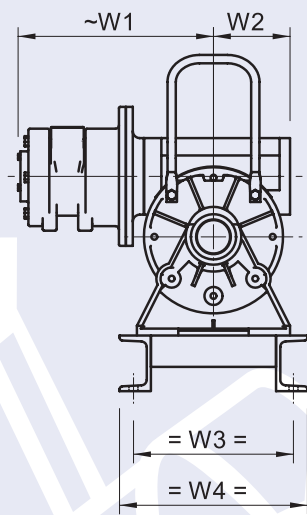
### Available control options:

- Proportional control valve, local or remote
- Pneumatic limit switch
- Pneumatic slack wire switch

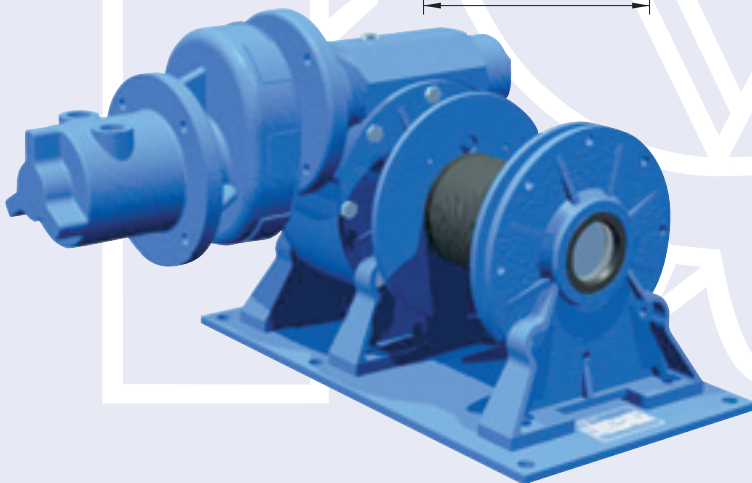
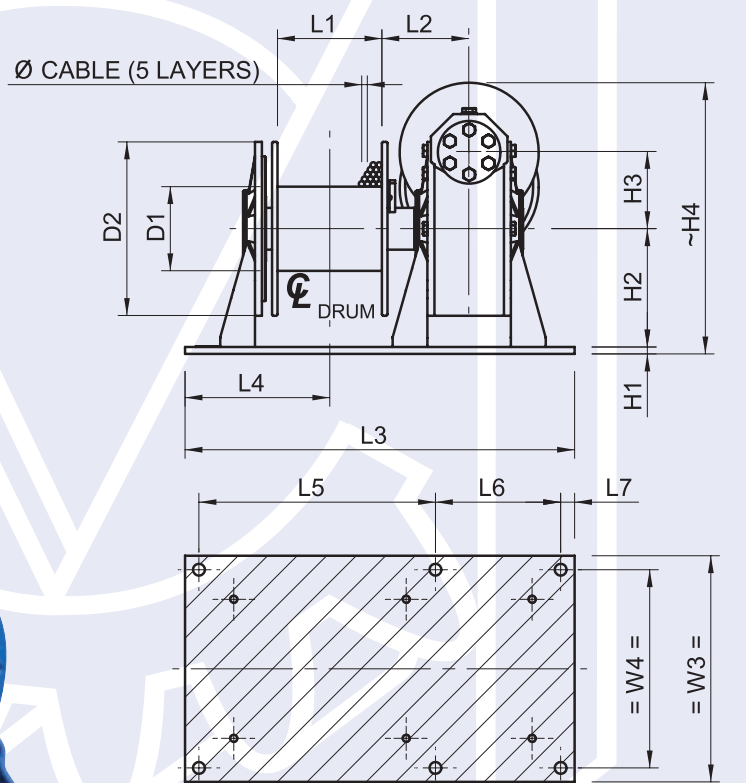
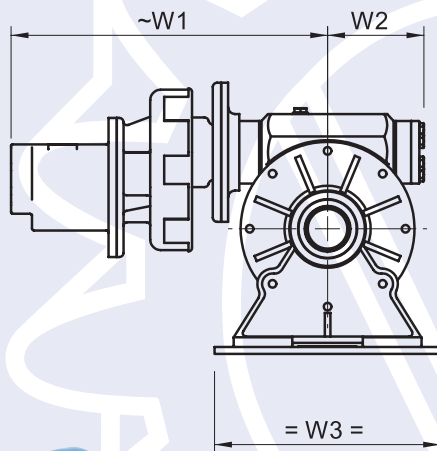
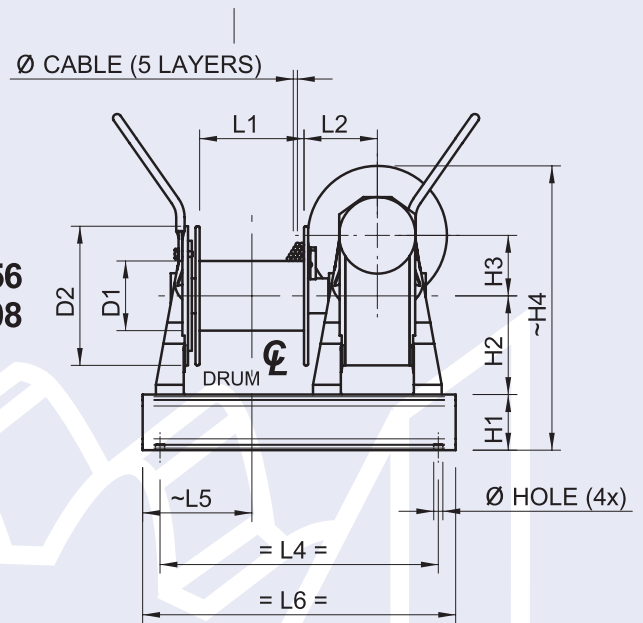
### Available options:

- Manual disengaging clutch
- Band brake, manual or automatic fail safe
- Grooved drum
- Drum pressure roller
- Alternative speeds
- Alternative drum dimensions / split drums / additional rope anchors / etc.

Winch type	W.L.L. 1st layer kg.	W.L.L. 3rd layer kg.	Recomm. rope diam. mm.	Speed 1st layer m/min.	Drumcap. 1st layer m.	Drumcap. 3rd layer m.	Pressure drop in bar	Flow in l/sec.
LV 256	250	200	5	12	10	32	6	45
LV 508	500	400	7	12	6	22	6	80
LV 425	425	350	6	5	10	32	6	25
LV 750	750	600	8	5,5	7	25	6	55
LV 1250	1250	1000	10	6	11	36	6	95
LV 2000	2000	1550	13	6	11	38	6	125



LV 256  
LV 508



FOOTPRINT  
- TOP VIEW -

Ø HOLE (6x)

Type	Mass (kg)	D1	D2	L1	L2	L3	L4	L5	L6	L7	H1	H2	H3	H4	W1	W2	W3	W4	Hole Ø
LV 256	58	100	200	150	105,5	450	157	400	-	-	80	142	86,9	408,9	278	110	270	230	13
LV 425	59	100	200	150	105,5	500	186	320	150	15	10	142	86,9	388,9	374	110	270	240	13
LV 508	65	100	200	150	105,5	450	157	400	-	-	80	142	86,9	408,9	281	110	270	230	13
LV 750	93	121	250	150	125,5	560	208	340	180	20	10	170	110	390	455	132	325	285	17
LV 1250	149	159	280	200	146,5	640	232,5	415	185	20	15	195	130	440	490	154,3	370	320	17
LV 2000	192	178	320	250	155	710	265	470	200	20	15	220	150	510	609	154	410	360	17

