

A range of electric self braking worm gear winches, developed for heavy duty pulling and traversing duties up to 2800 kg. Due to the self braking worm gears the winches are suitable for pulling up an incline. A brake is available as an option for accurate positioning or repetitive lifting applications up to 2000 kg.

Standard features:

- Self braking worm gear transmission
- IP 54 aluminium non braked motor
400 VAC / 3 phase / 50 Hz.
- Steel drum (not grooved) with cable fixing point at flange
- Single drum support (MC 250, MC 500)
- Two drum supports (all other models)
- Single layer 1 component conservation, colour BS 20 (Medium Blue)

Available options:

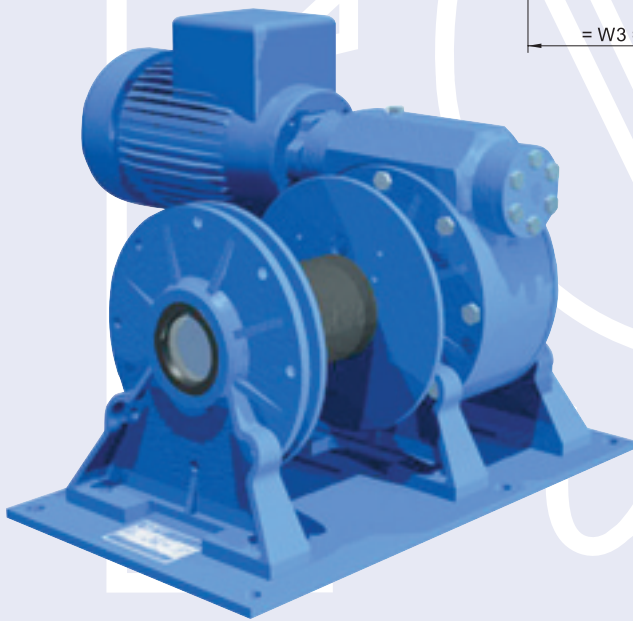
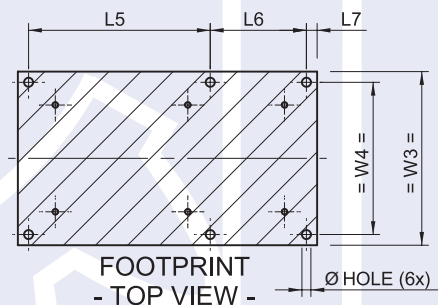
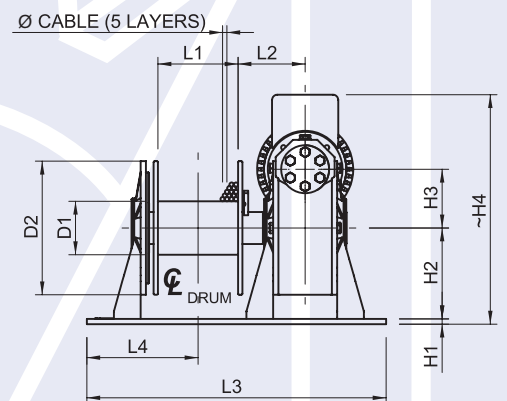
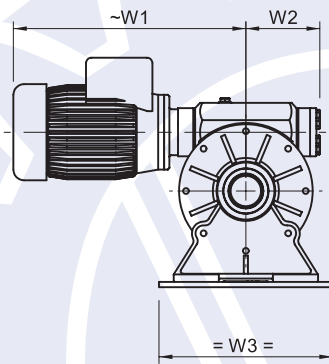
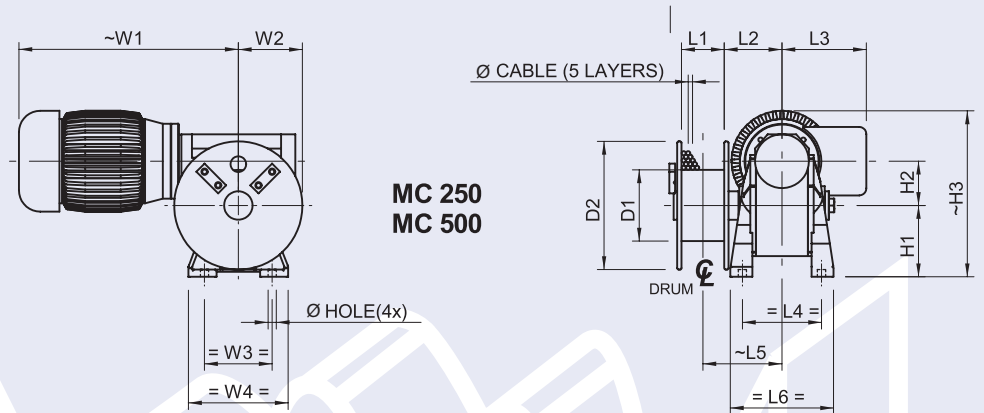
- Braked motor (aluminium or cast iron)
- IP 56 TENV cast iron motor for marine applications
- 220 or 110 VAC single phase motors (up to MC 950)
- 24 VDC motors
- Explosion proof motors
- Protective steel motor cover
- Manual or remotely controlled disengaging clutch
- Band brakes
- Grooved drum
- Drum pressure roller
- Alternative speeds
- Alternative drum dimensions / split drums / additional rope anchors / etc.

- Drum guards
- Emergency cranking
- Marine / offshore coating systems

Available control options:

- Direct pendant remote control IP 65 with emergency stop (up to 1,5 kW 220 VAC / 1 phase or 2,2 kW 400 VAC / 3 phase)
- Control box IP 55 with pushbuttons and emergency stop built acc. to NEN 1010
- Control box IP 55 with low voltage IP 65 remote control built acc. to NEN 1010
- Load limiter
- Frequency inverter for variable speed control
- Limit switches
- Slack wire switches
- Radio remote control
- Infra red remote control

Winch type	W.L.L. Pulling 1st layer kg.	W.L.L. Pulling 3rd layer kg.	W.L.L. Lifting 1st layer kg.	W.L.L. Lifting 3rd layer kg.	Recomm. rope diam. mm.	Speed 1st layer m/min.	Drumcap. 1st layer m.	Drumcap. 5th layer m.	Motor power 400 VAC kW.	Motor power 220 V 1 phase kW.
MC 250	250	200	200	160	6	6	3	20	0,55	
MC 500	500	400	400	330	6	6	3	20	1,1	
MC 950	950	730	760	490	8	5	6	40	1,5	
MC 1200	1200	930	960	740	8	5	6	40	2,2	
MC 1700	1700	1310	1300	1000	10	5,5	8	54	3	
MC 2200	2200	1690	1700	1300	12	6,5	10	65	4	
MC 2800	2800	2150	2000	1800	13	7	12	81	5,5	
MC 250 SPH	250	200	200	160	6	5	3	20		0,75
MC 500 SPH	500	400	400	330	6	5	3	20		1,5
MC 950 SPH	750	600	600	590	8	5	6	40		1,8



Type	Mass (kg)	D1	D2	L1	L2	L3	L4	L5	L6	L7	H1	H2	H3	H4	W1	W2	W3	W4	Hole Ø
MC 250	18,9	100	180	60	81	118,5	111	111	143	-	100	62,17	233	-	326	90	95	140	11,5
MC 500	35	100	200	60	91	91,9	146	121	186	-	142	86,9	319	-	374	110	140	218	11,5
MC 950	54	100	200	150	104	500	180	320	150	15	10	142	86,9	378,4	383	110	270	240	13
MC 1200	85	100	250	150	125,5	560	208	340	180	20	10	170	110	429,5	436	132	325	285	17
MC 1700	140	121	280	200	146,5	640	232,5	415	185	20	15	195	130	487	498	154,3	370	320	17
MC 2200	185	146	320	250	157	710	265	470	200	20	15	220	150	580	524	154	410	360	17
MC 2800	245	159	370	300	183	850	317,5	565	235	25	15	254	185,4	641,5	551	205	440	380	20

