

HZA

HATZ

HZA1-35 T5

Powered by:
HATZ 4M 41
 32 kVA at 50 Hz

Directive 97/68/EC (Stage II) 

Generating Set Performance		50 Hz	
SERVICE		P.R.P	Standby
Rated output	kVA	32	35
Active power output	kW	26	28
Rated speed	r.p.m.	1.500	
Standard Voltage	V	400	

Performance data refers to Standard Reference Conditions of ISO 8528 : + 25 °C , 100 m ALT, relative humidity 30 %
 During running-in period the output increases by approx. 5 % which is taken into consideration at delivery.
 * Considering cos phi= 0,8

Prime Mover Performance		1.500 r.p.m.	
		S*	B*
Rated output	kW	30,6	34
	CV	41,6	46,2
Manufacturer		HATZ	
Engine model		4M 41	
4 stroke Diesel Engine - Injection type		DIRECT	
Aspiration type		AXIAL BLOWER FUN	
Cylinders, number and arrangement		3L	
Bore x stroke	mm - in	102 x 105 - 4,02 x 4,13	
Total displacement	L - in ³	3,432 - 209,4	
Cooling system		AIR	
Lube oil specifications		15 W 40	
Compression ratio		18,7 : 1	
Specific fuel consumption	g/kWh	216	
Specific oil consumption (at full load)		Approx. 0,2% of fuel consumption	
Lube oil maximum capacity	L - US qts	14 - 14,8	
Lube oil minimum capacity	L - US qts	5 - 5,3	
Speed governor	Tipo	MECHANICAL	
Air filter		DRY	

(CFN) : ISO-STANDARD POWER (10% overload permissible) and ISO-STANDARD FUEL STOP POWER (no overload permissible) according to DIN ISO 3046.

For constant speed and constant load.

(IFN) : ISO BRAKE FUEL STOP NET POWER for intermittent load acc. to DIN ISO 3046.

Performance data refers to Standard Reference Conditions of DIN ISO 3046: + 25 °C , 100 m ALT, relative humidity 30 %

During running-in period the output increases by approx. 5 % which is taken into consideration at delivery.

Power reduction acc. to DIN ISO 3046. Standard values: Above 100 m ALT approx. 1 % per 100 m. Above 25 °C (77 °F) approx. 4 % per 10 °C (50 °F).

Datos Generador Sincrono *		
Poles	Nº	4
Winding connections (standard)		Star
Frame mounting		S-5 Disc. 8"
Windings treatment	Type	For humid - saline climate
Insulation	class	H
Damper windings		For parallel
Enclosure (according to IEC-34-5)		IP 21
Waveform distortion		<5%
Exciter system (option)		Brushless exciter desing with solid state
Voltage regulator		Static electronic desing
Steady voltage precision		within ± 1,5% from no load to full loading with cos phi = 0,8

*Alternator used by HIMOINSA Gensets meet the requirements of following Standard: IEC 34-1; CEI 2-3; VDE 0530; BS 4999-5000; NF 51-100,11

OSOITE/ADDR./E-MAIL
 FINMOTOR OY
 Pälviitie 3 • 01390 VANTAA

etu.sukunimi@finmotor.fi
 mail@finmotor.fi

 **PUHELIN / TEL./FAX**
 Puh. (09) 8700 970
 Int +358 9 8700 970
 Fax (09) 8700 9770
 Int +358 9 8700 9770

VAT/Y-TUNNUS:
 VAT: FI07560713

Y-tunnus: 0756071-3

PANKKI / BANK
 OKO 572010-244059

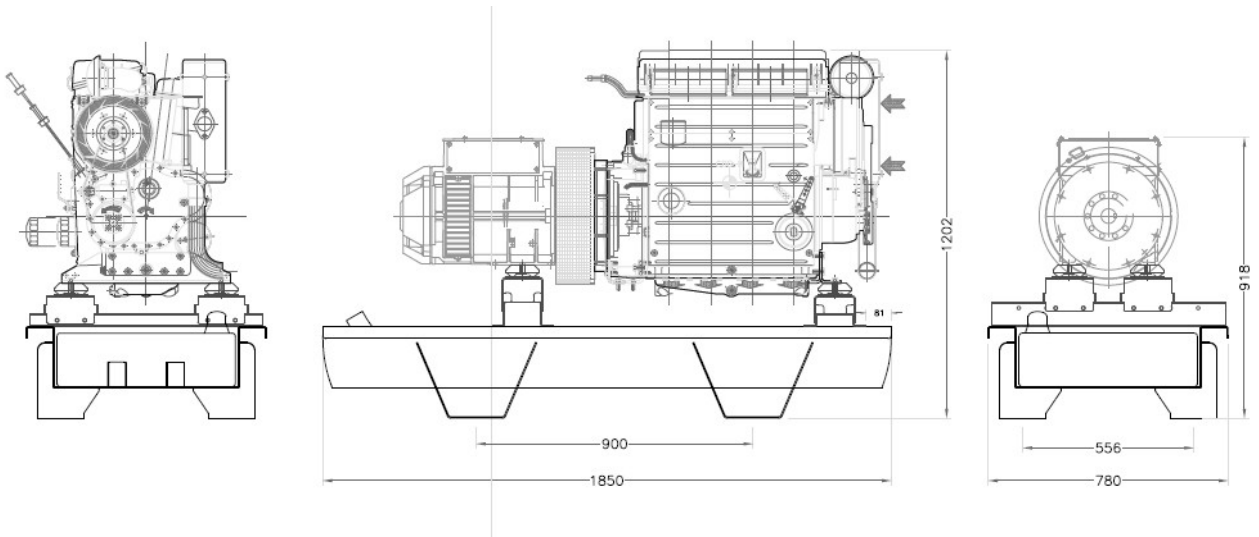
IBAN: FI35 5720 1020 0440 59
 SWIFT: OKOYFIHH



Directive 97/68/EC (Stage II)

HZA
 HATZ
 HZA1-35 T5 32 kVA at 50 Hz

Generating Set Installation Data		1.500 r.p.m.
EXHAUST SYSTEM		
Max. exhaust temperature at full load	°C	510
	°F	950
Exhaust gas flow	Q(m ³ /h)	371
Heat rejected to exhaust	(kW-IFN)	34
Maximum allowed back pressure	mm/WS	720
AIR REQUIREMENT		
Air requirement for combustion at 100% load / rated speed	m ³ /min	2,6
	ft ³ /min	92
ELECTRIC STARTING SYSTEM		
Starting motor output	kW	2,7
	CV	3,7
Minimum recommended battery capacity	Ah	92
Auxiliary voltage	Vcc.	12V
LIQUID CAPACITY		
Lube oil system including sump, filters, etc.	L	14,0 máx. / 5,0 min.
	qts	14,8 máx. / 5,3 min.
Fuel tank capacity	L	120
DIMENSIONS AND WEIGHT		
Length	m - ft	1,62 - 5,31
Width	m - ft	0,75 - 2,46
Height	m - ft	1,27 - 4,16
Shipping volume seaworthy (Standard supplier)	m ³ - ft ³	1,54 - 53,34
Dry weight (with standard accessories)	kg - lb	645 - 1.419



OSOITE/ADDR./E-MAIL
 FINMOTOR OY
 Pálvitie 3 • 01390 VANTAA
 etu.sukunimi@finmotor.fi
 mail@finmotor.fi

PUHELIN / TEL./FAX
 Puh. (09) 8700 970
 Int +358 9 8700 970
 Fax (09) 8700 9770
 Int +358 9 8700 9770

VAT/Y-TUNNUS:
 VAT: FI07560713
 Y-tunnus: 0756071-3

PANKKI / BANK
 OKO 572010-244059
 IBAN: FI35 5720 1020 0440 59
 SWIFT: OKOYFIHH



**GAMA PROFESIONAL
PROFESSIONAL RANGE**



DIESEL
Potencia_Power 3,7 - 35 kVA

FRECUENCIA
FREQUENCY **50 Hz**

TRIFÁSICOS
THREE-PHASES **T**

GRUPOS ESTÁTICOS ESTÁNDAR
OPEN SKID GENSETS

REFRIGERADOS POR AIRE
AIRCOOLED

400V / 1.500 r.p.m.

Modelo Model	Motor Engine	Potencia - Power				Arran. Start.	Cil. Cyl.	C.C. cm ³	Dimensiones - Dimensions mm			Peso Weight Kg	Depósito Fuel Tank L
		P.R.P. (1)	Standby (2)	P.R.P. (1)	Standby (2)				Largo L	Ancho W	Alto H		
HZA 1-6 T5	1D 90 S	5,6	6,2	4,5	4,9	E	1	722	940	570	680	210	10
HZA 1-20 T5	2M 41	15	17	12,2	13,5	E	2L	1.716	1.450	620	1.180	455	60
HZA 1-25 T5	3M 41	24	27	19	22	E	3L	2.574	1.700	620	1.204	530	76
HZA 1-35 T5	4M 41	32	35	26	28	E	4L	3.432	1.850	780	1.270	645	120

400V / 3.000 r.p.m.

Modelo Model	Motor Engine	Potencia - Power				Arran. Start.	Cil. Cyl.	C.C. cm ³	Dimensiones - Dimensions mm			Peso Weight Kg	Depósito Fuel Tank L
		P.R.P. (1)	Standby (2)	P.R.P. (1)	Standby (2)				Largo L	Ancho W	Alto H		
HZA 3-4 T5*2	1B 30	3,7	4,2	3	3,4	M	1	347	805	590	585	110	5
HZA 3-6 T5*2	1B 40	6	6,6	4,8	5,3	E	1	462	805	590	585	125	5
HZA 3-10 T5*2	1D 81S	9,9	10,6	7,9	8,5	E	1	667	940	590	680	220	10



DIRECT. 97/68/EC (Stage II)

*Los pesos son aproximados.

*2 Opcionalmente pueden incluir kit de ruedas con asideras (+4Kg).

Condiciones ambientales de referencia:
1.000 mbar, 25°C, 30% humedad relativa. Potencia según la norma ISO 3046.

1- P.R.P. Prime Power – ISO 8528: es la potencia máxima disponible para un ciclo de potencia variable que puede ocurrir por un número ilimitado de horas por año, entre los periodos de mantenimiento señalados. La potencia media consumible durante un periodo de 24 horas no debe rebasar del 80% de la P.R.P. 10% de sobrecarga es permitido solo para regulación.

2- Standby power (ISO 3046 Fuel Stop power): es la potencia máxima disponible para empleo bajo cargas variables por número limitado de horas año (500h) dentro de los siguientes límites máximos de funcionamiento: 100% de la carga 25h/año - 90% de la carga 200h/año. No existe sobrecarga. Es aplicable en caso de interrupción de la distribución en zonas de red eléctrica fiable.

3- M= Arranque manual; E= Arranque eléctrico.

*The weights are approximate.

*2 Optionally handles and wheels set (+4Kg).

Ambient reference conditions:
1.000 mbar, 25°C, 30% relative humidity. Rating according to ISO 3046.

1- P.R.P. Prime Power – ISO 8528: prime power is the maximum power available during a variable power sequence, which may be run for and unlimited number of hours per year, between stated maintenance intervals. The permissible average power output during a 24 hours period shall not exceed 80% of the prime power. 10% overload available for governing purposes only.

2- Standby power (ISO 3046 Fuel Stop power): power available for use at variable loads for limited annual time (500h), within the following limits of maximum operating time: 100% loads 25h per year - 90% loads 200h per year. No overload available. Applicable in case of failure of the main in areas of reliable electrical network.

3- M= Manual start; E= Electric start.

OSOITE/ADDR./E-MAIL
FINMOTOR OY
Pälviitie 3 • 01390 VANTAA

etu.sukunimi@finmotor.fi
mail@finmotor.fi

PUHELIN / TEL./FAX
Puh. (09) 8700 970
Int +358 9 8700 970
Fax (09) 8700 9770
Int +358 9 8700 9770

VAT/Y-TUNNUS:
VAT: FI07560713

Y-tunnus: 0756071-3

PANKKI / BANK
OKO 572010-244059

IBAN: FI35 5720 1020 0440 59
SWIFT: OKOYFIHH