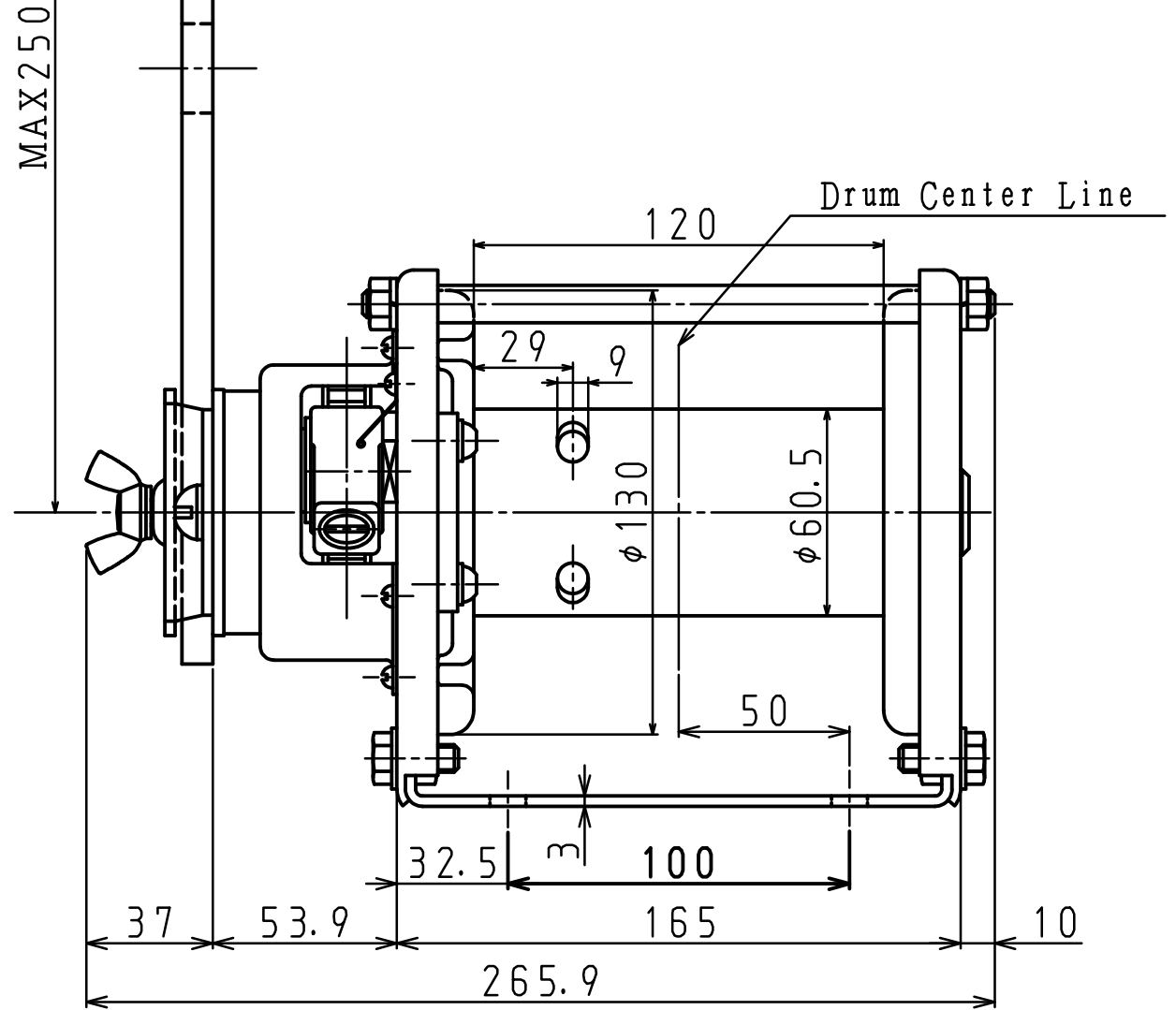


REVISION
△x	...	△x
△x	...	△x

It is necessary the fleet angle is 2 degrees or less to prevent the wire rope being unevenly wound to wind the wire rope uniformly. Please install the pulley 1800mm or more away from the drum on the drum center line.



Specifications		(The wire rope composition is a manufacturer recommendation.)	
Model	GM-1	Handle Operation Power	Handle Length 250mm Wire Rope Tension 980N
Load Rating Wire Rope Tension	980N (=100kgf) (4th Layer or Less)		1st Layer 143N (=14.6kgf) 3rd Layer 187N (=19.0kgf) 4th Layer 208N (=21.2kgf)
Wire Rope Length	φ5mm (6×19)×35m (6th Layer)	Weight (Winch+Handle)	7.2 kg
Gear Ratio	1/1	Standard Accessories	One Handle One Hex Wrench for Wire Lock
Handle Length	250 mm (Effective Max.)		

MARK	PARTICULARS	MATERIAL	TEST PIECE	WORKING NO. REQUIRED	SPARE	TOTAL	PER ONE	TOTAL	REMARKS
MANAGER							WORK NO.		QUANTITY
DEPUTY MANAGER									
CHIEF	I. Takahashi						CLASSIFICATION		SCALE
ENGR IN CHARGE		MAXPULL WINCH							/
CHECKED BY							DRAWING NO.		
DRAWN BY	T. Yonezawa	MODEL GM-1					GM1-101201-01E		
DATE DRAWN	2010/12/01								