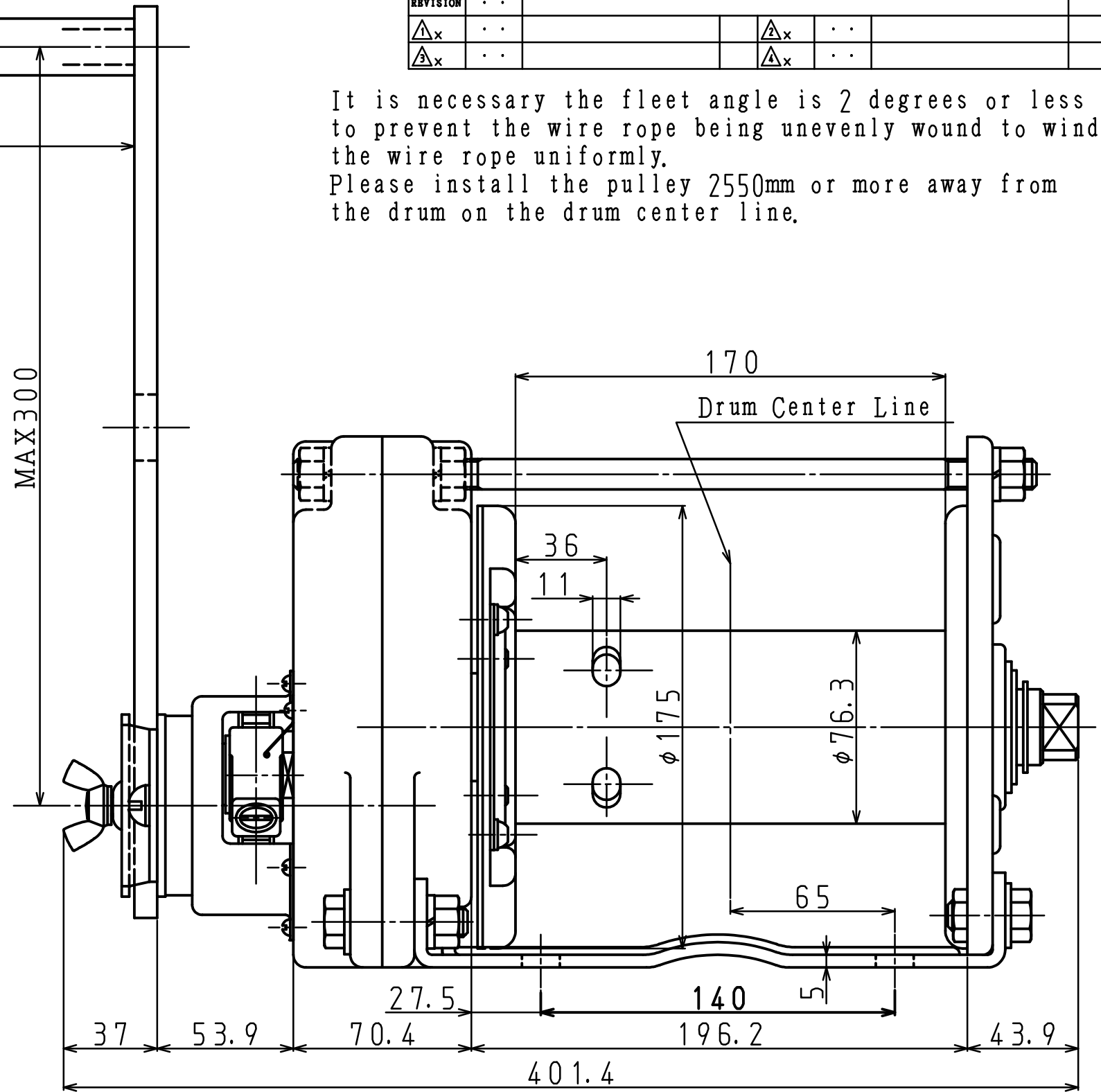
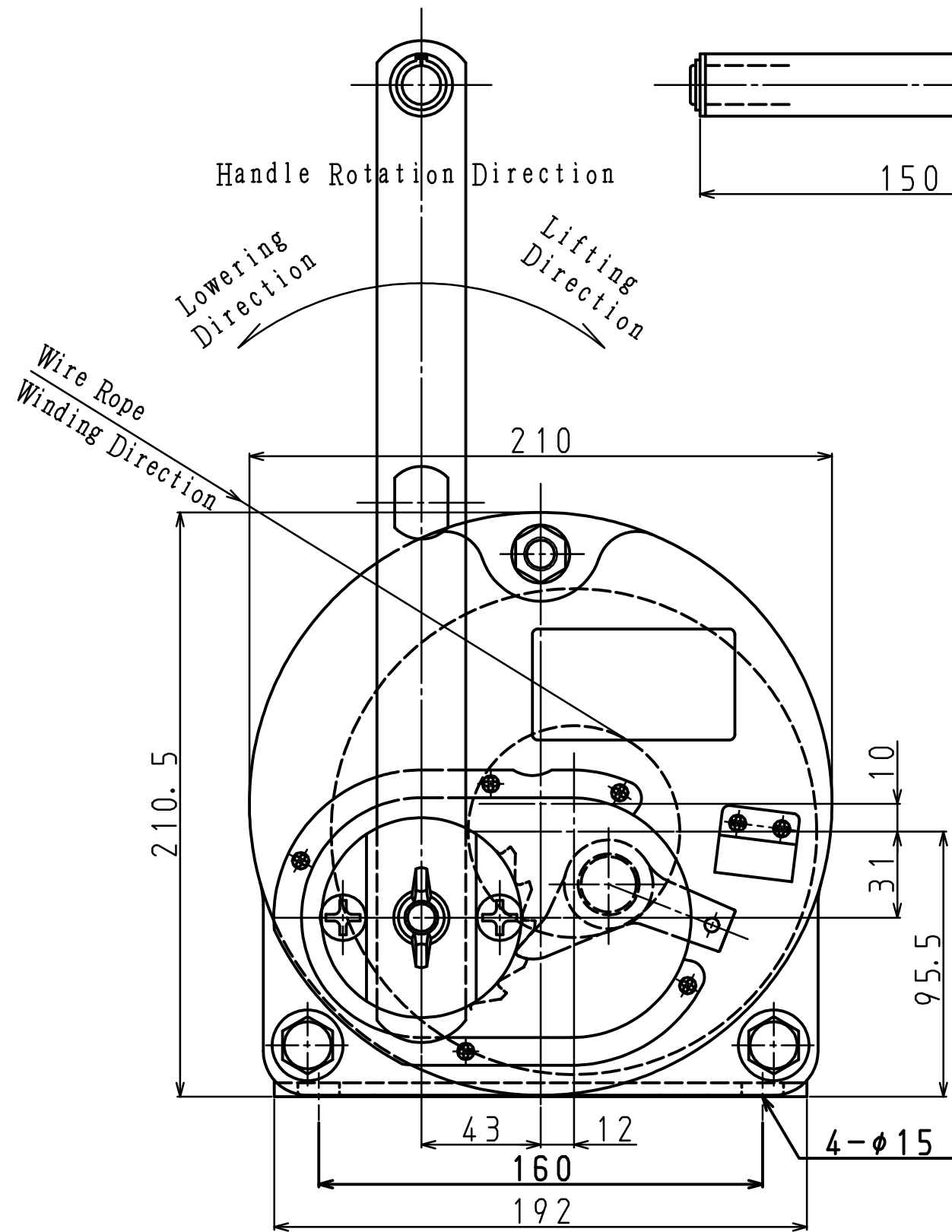



REVISION
①x	...	①x
②x	...	②x

It is necessary the fleet angle is 2 degrees or less to prevent the wire rope being unevenly wound to wind the wire rope uniformly.
Please install the pulley 2550mm or more away from the drum on the drum center line.



Specifications		(The wire rope composition is a manufacturer recommendation.)	
Model	GM-10	Handle Operation Power	Handle Length 300mm Wire Rope Tension 9,800N
Load Rating Wire Rope Tension	9,800N (=1,000kgf) (3rd Layer or Less)	Weight (Winch+Handle)	1st Layer 133N (=13.5kgf) 2nd Layer 157N (=16.0kgf) 3rd Layer 182N (=18.5kgf)
Wire Rope Length	φ8mm(6×37)×35m (5th Layer)	Standard Accessories	16.4 kg
Gear Ratio	1 / 12.6		One Handle
Handle Length	300mm (Effective Max)		One Hex Wrench for Wire Lock

MARK	PARTICULARS	MATERIAL	TEST PIECE	WORKING NO. REQUIRED	SPARE (PR)	TOTAL	PER ONE TOTAL WEIGHT IN g	REMARKS
MANAGER							WORK NO.	QUANTITY
DEPUTY MANAGER								
CHIEF	I. Takahashi						CLASSIFICATION	SCALE
ENGR IN CHARGE		MAXPULL WINCH						/
CHECKED BY		MODEL GM-10					DRAWING NO.	
DRAWN BY	T. Yonezawa						GM10-101201-01E	
DATE DRAWN	2010/12/01							
 MAXPULL MACHINERY & ENGINEERING CO., LTD.								